

HIGH QUALITY SERVICE WHEN YOU LACK THE CAPACITY OR DO NOT HAVE EMPLOYED APPROPRIATE STAFF.

- Workshop drawings
- Machine & Product design
- Reverse engineering
- Calculations & Sketches for Quotations
- Eng. Calculations
- Digitizing of old drawings & 3D models
- Consulting
- Representation

**QUICKLY AND EFFICIENTLY, WE SOLVE YOUR EVERYDAY PROBLEMS IN MECHANICAL ENGINEERING.**

PROKONA is the result of plentiful experience in diverse areas of mechanical engineering.

**When you are missing or do not have employed appropriate staff (e.g. holidays), and employment is not an option because the job needs to be done immediately, PROKONA, will quickly and efficiently do the required job.**

**Your costs will stay minimal.**

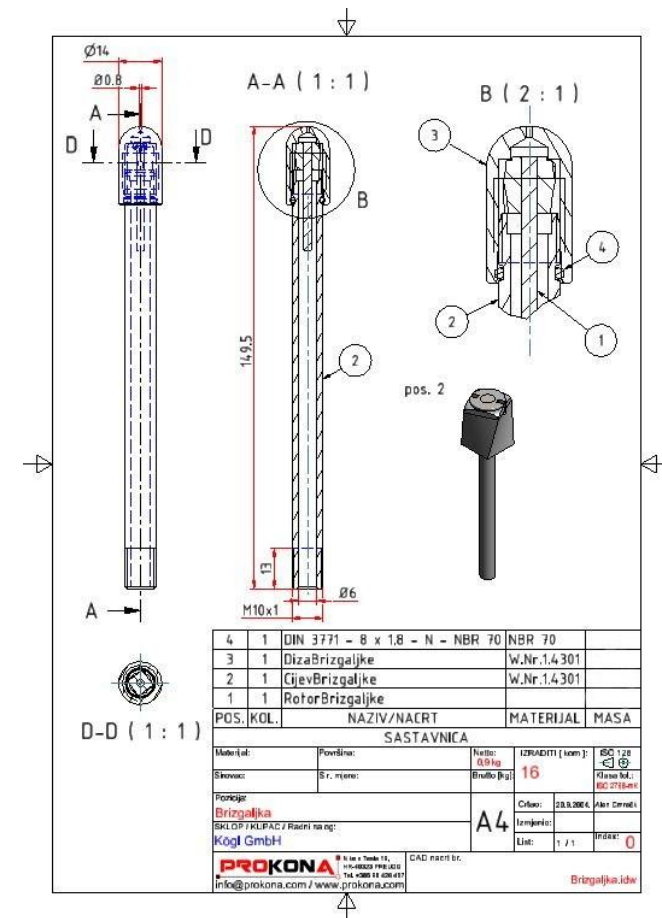
**WORKSHOP DRAWINGS, PRODUCTION PREPARATION AND DETAILING**

Long-term cooperation with companies from the German and English-speaking countries has shown that **they do not spent valuable time on the workshop drawings.**

Manufacturers are forced to **take the orders despite missing or no workshop drawings.**

That often means that **they have no corresponding forces which can prepare good workshop documentation.**

It is always better to have **your own workshop drawings.** Prokona is ready to help in this area. **Detailing, BOM, sheet metal flat patterns and sheet metal processing are our main strengths!**



EXAMPLE: WORKSHOP DRAWING

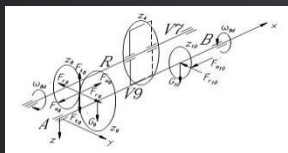
## Reverse engineering

Missing or incomplete tech. Documents?  
Through analysis, we prepare new one.



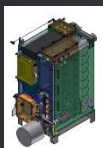
## Mechanical Eng. calculations

Machine parts, transmission, pipelines, heat exchangers, conveyors, cranes...



## New product design & development:

Do you need help in developing a new product?

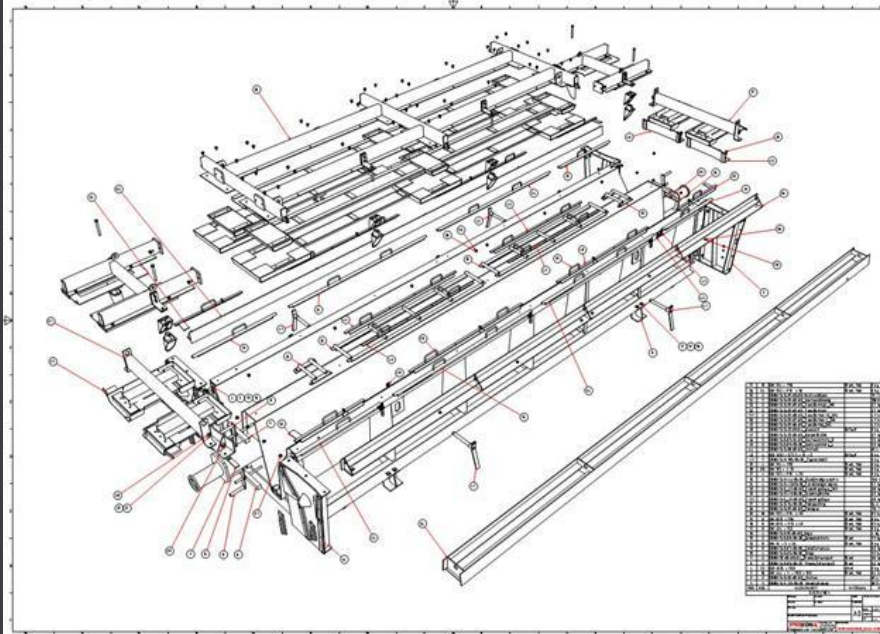
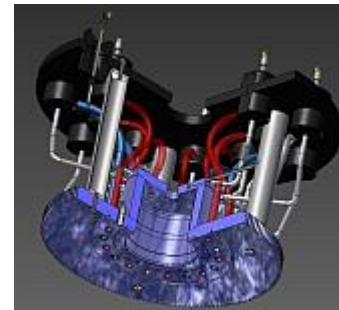
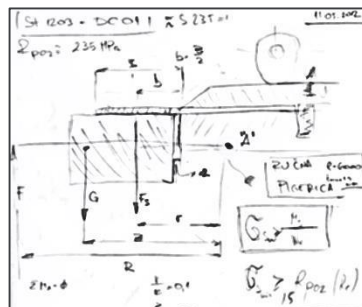


## Calculations / sketches for quotations

Welded structures, etc.



## OTHER SERVICES



## Digitizing of old drawings and 3D models

(Acad Mechanical, Inventor & SW)



## Consulting

Company organization, selection of equipment, machinery and software



## Representation

Representing on the Balkan market.  
(Help in selling your machine or plant, potential customers, etc.)  
Find and recommend the best Croatian suppliers for your products  
Inspection of the product before delivery mediating the communication (English, German, Croatian)  
Outsourcing your production to Croatia



**Wide range of quality engineering services always available for You,  
when yours existing capacities (e.g. sick leave) are not adequate or you do not have suitably qualified personnel.**

**CALL US!**